

## **A lot of movement in little space with new compact igus slewing ring bearings**

**Lubrication-free slewing ring bearings from the PRT-04 range save 60 percent weight and 50 percent space**

**Fast rotary movements in a small space. These are often the special requirements for slewing ring bearings in automation or stage technology as well as in control panels. For such compact applications, igus has now developed a new slewing ring bearing range for medium loads. The slewing rings are not only maintenance-free and wear-resistant, thanks to the use of high-performance polymers, they are also 50 percent smaller in installation height and 60 percent lighter, saving the user up to 20 percent of his costs.**

High cycle rates and loads, for example, in welding systems, indexing tables or the packaging industry, are extremely demanding for slewing rings. In order to withstand this, igus has been offering slide-supported slewing ring bearings in its product range for 15 years. The iglidur polymer slewing ring bearings (PRT) have sliding elements between the inner and outer bearing rings made of aluminium or stainless steel. The maintenance-free sliding elements made of high-performance iglidur J plastic ensure that friction and wear are minimised without the use of lubrication. The high-performance plastic withstands a maximum surface pressure of 35 MPa. In addition, igus has FDA and ESD-compliant versions with no minimum order quantity. igus has now developed the new PRT-04 range so that users can use slewing ring bearings even in compact installation spaces with medium loads. Up to 50 percent space and the moving mass can be significantly reduced by using this compared to the PRT-01 series with a 100 millimetre inner diameter. Even compact applications can be implemented, for example, in automation technology, in sorting systems as well as in control panels or even in stage and lighting technology. In addition, thanks to the new slim type, the user saves 20 percent of his costs.

### **Wide variety: different sizes and accessories**

The new PRT-04 range is available directly from stock with inner diameters of 50 to 300 millimetres. In addition, igus offers a wide range of accessories for the

slewing ring bearings. From drive pin, variable rotation limit and toothed ring up to the clamping lever. The new slewing ring bearings have also demonstrated their long service life in the company's own 3,800 square metre test laboratory. The data collected in the tests are incorporated in the iglidur PRT slewing ring configurator, which allows the customer to quickly select the correct slewing ring bearing as well as calculate the service life in the individual application.

**PRESS CONTACT:**

Nitin Prakash  
Product Manager  
igidur®

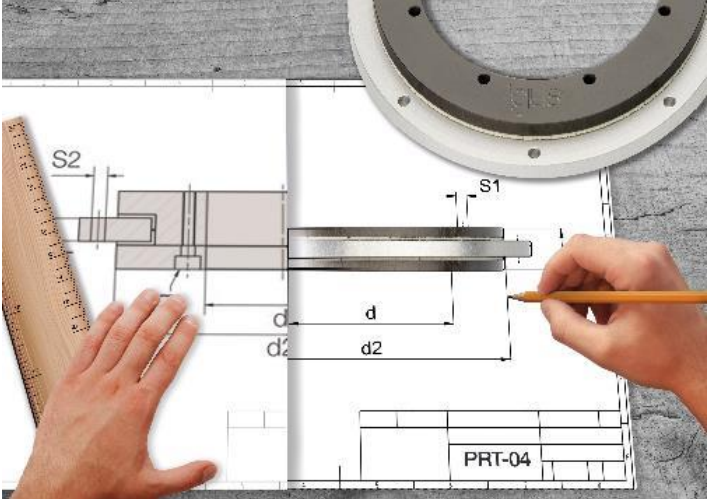
igus (India) Private Limited  
36/1, Sy. No. 17/3  
Euro School Road,  
Dodda Nekkundi Industrial Area - 2nd  
Stage  
Mahadevapura Post  
Bangalore - 560048  
Phone : +91 7760368383  
[nitin@igus.in](mailto:nitin@igus.in)  
Visit us on [www.igus.in](http://www.igus.in)

**ABOUT IGUS:**

igus GmbH is a globally leading manufacturer of energy chain systems and polymer plain bearings. The Cologne-based family business has offices in 35 countries and employs around 4,150 people around the world. In 2018, igus generated a turnover of 748 million euros with motion plastics, plastic components for moving applications. igus operates the largest test laboratories and factories in its sector to offer customers quick turnaround times on innovative products and solutions tailored to their needs.

The terms "igus", "Apiro", "chainflex", "CFRIP", "conprotect", "CTD", "drylin", "dry-tech", "dryspin", "easy chain", "e-chain", "e-chain-systems", "e-ketten", "e-kettensysteme", "e-skin", "flizz", "igear", "igidur", "igubal", "kineKIT", "manus", "motion plastics", "pikchain", "plastics for longer life", "readychain", "readycable", "ReBeL", "speedigus", "triflex", "roboLink", and "xiros" are protected by trademark laws in the Federal Republic of Germany and internationally, where applicable.

**Caption:**



**Picture PM2719-1**

Lots of movement in a small space: with the new PRT-04 slewing ring bearing, the designer can save 50 percent space. (Source: igus GmbH)